



## Overview: model class **Q-DISPLAY-30**

*Safe and approved storage of flammable hazardous substances in working areas*



### Everything in view

- extra-large glass cutout in the doors (fire-resistant glass EI 30 according to BS EN 13501-2) allows you to see at a glance which materials are stored in the cabinet
- ideal for installation in sales rooms or material dispensing points



### High flexibility

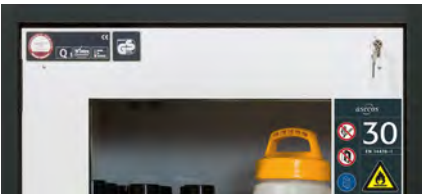
- integrated transport base for simple inhouse transport
- cabinet can be transported upright through doors (all Q-LINE models)
- adjustable feet installed in the base allow the safe and fast compensation of minor surface unevenness



### Guarantee up to 5 years

- quality from which you benefit
- you get an extended manufacturer's guarantee of up to 5 years on the Q-DISPLAY-30 cabinets

### Further features of this model class



### Modern bicolour design

- Q-DISPLAY brings colour to your workplace: choice of three door colours at no extra cost
- language-free labelling for optimum international usability



### Cylinder lock

- door lockable with cylinder lock; the cabinets can be integrated in an existing locking system

### Possible interior equipment



- **metal-free interior equipment** for the storage of aggressive hazardous materials
- as standard with **removable plastic sump**



- **drawers** with high storage volumes, ideal for storing small containers



- **height-adjustable shelves** in different versions



- **bottom collecting sump** – safe collection of leakages
- usable as storage level in conjunction with perforated insert



**Safety storage underbench cabinets for the storage of flammable hazardous materials in working areas according to EN 14470-1 and TRGS 510**



- **fire resistance of 30 minutes** (type 30), type-tested in accordance with EN 14470-1

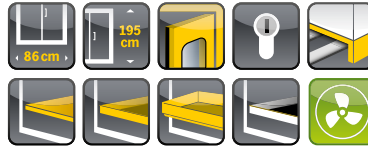


- **GS-tested** (EN 14470-1, EN 14727, document EK5/AK4 09-10, ProdSG)
- **50,000** wear-free opening and closing actions
- test basis: all cabinets of this model group correspond to the requirements of the Equipment and Product Safety Act (§7 Para. 1) with respect to the guarantee of safety and health



- **excellent products with special manufacturer warranty**
- extended **manufacturer warranty of up to 5 years** in combination with the asecos BASICPlus tariff





**Safe and approved storage of flammable hazardous substances in working areas**

**Function / construction:**

- **robust construction and longevity:** triple hinged door, cabinet body made of melamine resin and flame retardant special plates, safety elements assembled outside the storage compartment for increased protection against corrosion, doors with metal front as well as scratch- and impact-resistant surface, easy to clean
- **all containers at a glance:** door with large glass cutout allows a quick and easy overview of the stored containers – even with closed doors
- **easy handling with comfort:** door stops in any position, self-closing in the event of fire
- **no unauthorised use:** door lockable with profile cylinder (integration in an existing locking system possible)

- **easy transport:** integrated transport base with removable, optional base cover or adjusting aids with base cover
- **ventilation:** integrated air ducts ready for connection (DN 75) to a technical exhaust system

**Available equipment**

- shelves with load capacity of 75 kg
- tray shelves with load capacity of 150 kg
- perforated insert useable as storage area
- bottom collecting sump
- drawers – high storage capacity, optimal use of the available storage capacities
- drawers heavy-duty with load capacity of 100 kg
- metal-free tray shelves and collecting sumps
- storage box
- sump inliner (PE or PP)

**Safety storage cabinet**

**Q-DISPLAY-30 model Q30.195.086.WDFW**

Body colour Anthracite grey, with wing door incl. glass cutout in Warning yellow (RAL 1004), interior equipment with 3 x shelf, 1 x perforated insert, 1 x bottom collecting sump (sheet steel powder-coated)

**Order No. 32781-060-33622**

(base cover optional)



**LARGE STORAGE CAPACITY**  
—  
**QUICK GLANCE AT THE STORED ITEMS**



**Drawers**

High storage capacity  
Ideal for the storage of small containers



**Metal-free interior equipment**

Ideal for the storage of flammable, aggressive hazardous substances. Tray shelves with chemical resistant surface lamination and removeable plastic sump, bottom collecting plastic sump.



**Extraction unit**

Safe ventilation of safety storage cabinets

plug-in – fast and easy to install

Further information and products from page 397

**Order No. 14218**



**Recirculating air filter system**

Avoid complex wall breakthroughs and expensive extraction piping

Further information from page 393

**Order No. 25099**



**Safety storage cabinet**

**Q-DISPLAY-30 model Q30.195.086.WDFW**

Body colour Anthracite grey, with wing door incl. glass cutout in Light grey (RAL 7035), interior equipment with 6 x drawer (sheet steel powder-coated)

**Order No. 32781-061-33629**

(base cover optional)

**Safety storage cabinet**

**Q-DISPLAY-30 model Q30.195.086.WDFW**

Body colour Anthracite grey, with wing door incl. glass cutout in Warning yellow (RAL 1004), interior equipment with 4 x drawer (sheet steel powder-coated)

**Order No. 32781-060-33627**

(base cover and extraction unit optional)

3 door colours are available **at no extra cost:**



**Order example - how to order correctly**



Model	Information / equipment	Order No.
Q30.195.086.WDFW	without interior equipment, with wing door incl. glass cutout, left hinged	32781

Body colour	Door colour	Order No.
Anthracite grey	Warning yellow RAL 1004	060
Anthracite grey	Light grey RAL 7035	061
Anthracite grey	Traffic red RAL 3020	066

Interior equipment packages (can only be ordered in combination with the cabinet)	Material	Order No.
3x shelf, 1x perforated insert, 1x bottom collecting sump (V=22.0L)	sheet steel powder-coated RAL 7035	old code 30043 new code 33622
4x shelf, 1x perforated insert, 1x bottom collecting sump (V=22.0L)	sheet steel powder-coated RAL 7035	30044 33623
3x shelf, 1x bottom collecting sump (V=22.0L)	sheet steel powder-coated RAL 7035	30045 33624
4x shelf, 1x bottom collecting sump (V=22.0L)	sheet steel powder-coated RAL 7035	30046 33625
3x shelf, 1x perforated insert, 1x bottom collecting sump (V=22.0L)	stainless steel	30047 30047
4x shelf, 1x perforated insert, 1x bottom collecting sump (V=22.0L)	stainless steel	30048 30048
3x shelf, 1x bottom collecting sump (V=22.0L)	stainless steel	30049 30049
4x shelf, 1x bottom collecting sump (V=22.0L)	stainless steel	30050 30050
3x tray shelf (V=22.0L), 1x bottom collecting sump (V=22.0L)	PP grey	<b>HIGHLIGHT</b> 30051 30051
4x tray shelf (V=22.0L), 1x bottom collecting sump (V=22.0L)	PP grey	<b>HIGHLIGHT</b> 30052 30052
4x drawer (V=19.0L)	sheet steel powder-coated RAL 7035	30053 33627
5x drawer (V=19.0L)	sheet steel powder-coated RAL 7035	30054 33628
6x drawer (V=19.0L)	sheet steel powder-coated RAL 7035	30055 33629
4x drawer (V=19.0L)	stainless steel	30056 33631
5x drawer (V=19.0L)	stainless steel	30057 33632
6x drawer (V=19.0L)	stainless steel	30058 33633



## Individual configuration of model Q30.195.086.WDFW

Model	Information / equipment	W x D x H (mm)	Order No.
Q30.195.086.WDFW	without interior equipment, with wing door incl. glass cutout, left hinged	864 x 620 x 1947	32781

Body colour	Door colour	Order No.
Anthracite grey	Warning yellow RAL 1004	060
Anthracite grey	Light grey RAL 7035	061
Anthracite grey	Traffic red RAL 3020	066

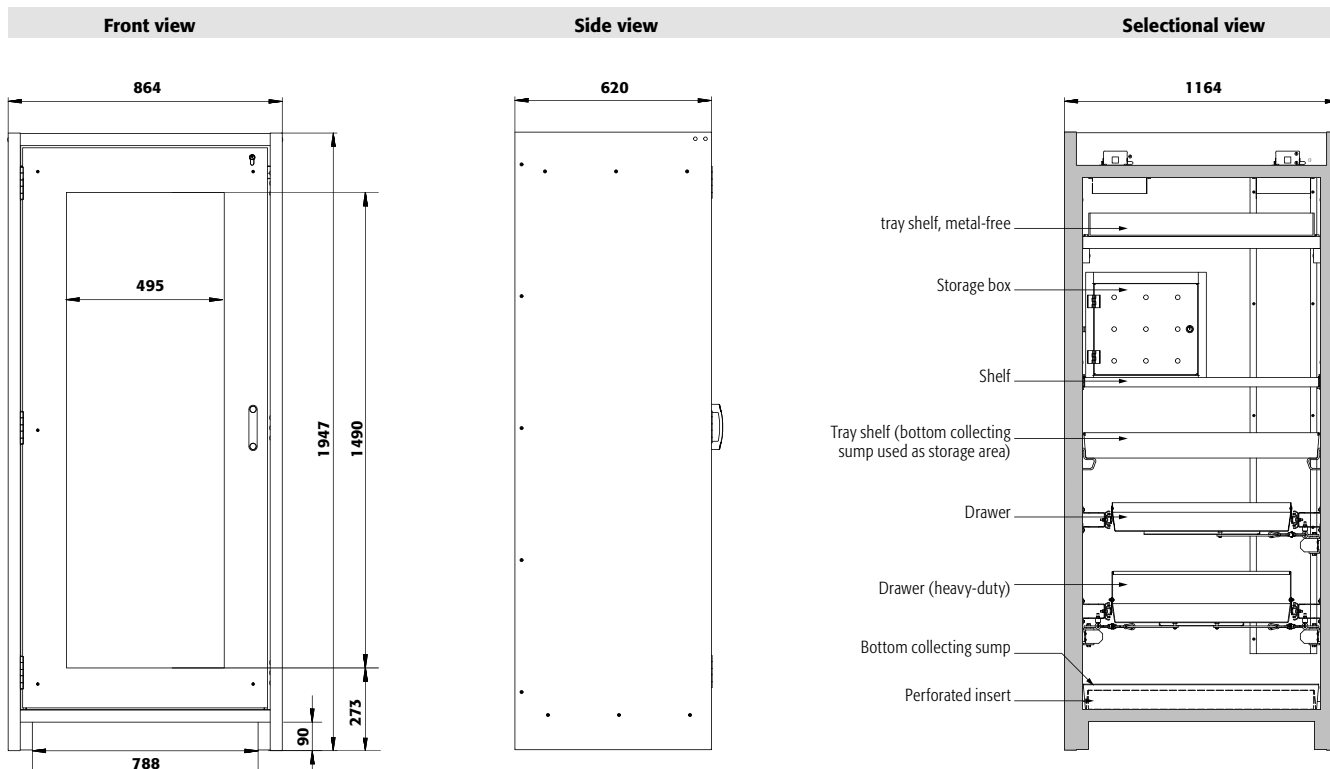
Interior equipment	Material	W x D x H (mm)	1)	2)	3)	Order No.
						old code new code
shelf	sheet steel powder-coated RAL 7035	740 x 432 x 30*	75.00			30059 30059
	stainless steel	740 x 432 x 30*	75.00			30061 30061
tray shelf, metal-free	PP grey	702 x 472 x 74*	50.00	23.00	20.91	30063 30063
perforated insert	sheet steel powder-coated RAL 7035	742 x 417 x 70	75.00			11165 11165
	stainless steel	742 x 417 x 70	75.00			11168 11168
bottom collecting sump	sheet steel powder-coated RAL 7035	724 x 489 x 83*		22.00	20.00	30060 33621
	stainless steel	724 x 489 x 83*		23.00	20.91	30062 30062
bottom collecting sump, metal-free	PP grey	702 x 472 x 74*		23.00	20.91	26990 26990
drawer	sheet steel powder-coated RAL 7035	544 x 488 x 90*	60.00	19.00	17.27	30065 33626
	stainless steel	544 x 488 x 90*	60.00	19.00	17.27	30067 33630
drawer (heavy-duty)	sheet steel powder-coated RAL 7035	543 x 487 x 162*	100.00	45.00		30066 30066
	stainless steel	543 x 487 x 162*	100.00	45.00		30068 30068
storage box, left hinged	sheet steel powder-coated RAL 7035	380 x 420 x 360				30029 30029
storage box, right hinged	sheet steel powder-coated RAL 7035	380 x 420 x 360				30030 30030
sump inliner, for drawer	polyethylene white	536 x 480 x 90*		22.00	20.00	27948 27948
sump inliner, for shelf	PP grey	653 x 406 x 88*				9707 9707
anti-slip rubber mat, for drawer	black	540 x 490 x 1				15653 15653
pipe lead-through	sheet steel powder-coated RAL 7035	182 x 104 x 48				30035 30035
base cover, with adjusting device (available for order only in combination with cabinet)	panel melamine resin-coated RAL 7016					31010 31010
base cover	panel melamine resin-coated RAL 7016					31924 31924
Q-mover, 2 pieces	steel powder-coated textured RAL 7016	600 x 140 x 130	450.00			30037 30037
box for chemicals	PP blue	410 x 300 x 260		18.00	16.36	30038 30038

Accessories	Order No.
recirculating air filter system with exhaust air monitoring	25099
extraction unit without exhaust air monitoring	14218

\* usable storage space W x D (mm)

1) load capacity (kg), 2) retention capacity (ltr), 3) maximum container volume in the cabinet (ltr)

**CERTIFIED SAFETY**   
**YOU CAN RELY ON.**



**Technical data**

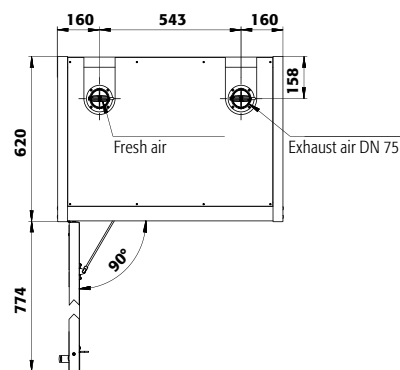
**Q30.195.086.WDFW**

External dimensions W x D x H	mm	864 x 620 x 1947
Internal dimensions W x D x H	mm	750 x 519 x 1626
Weight without interior equip.	kg	195
Air change <b>10 times</b>	m <sup>3</sup> /h	6
Diff. pressure (air change <b>10 times</b> )	Pa	10
Diff. pressure (air change <b>10 times EK5/AK4</b> )	Pa	10
Maximum load	kg	600
Distributed load	kg/m <sup>2</sup>	531

**Transport base**

Entry height transport base	mm	90
Entry width transport base	mm	788

**Top view**



**Q30.195.086.WDFW**

Drawers/number	9	8	7	6	5	4+1	4	3	2
Distance ⑨ (mm)	130								
Distance ⑧ (mm)	135	130							
Distance ⑦ (mm)	135	170	160						
Distance ⑥ (mm)	135	170	200	225					
Distance ⑤ (mm)	135	170	200	230	225	225			
Distance ④ (mm)	135	170	200	230	295	230	320		
Distance ③ (mm)	135	170	200	230	295	230	360	420	
Distance ② (mm)	170	170	200	230	295	230	360	520	865
Distance ① (mm)	200	200	200	230	295	490	390	520	615

**Standard storage heights of the drawers**

**Q30.195.086.WDFW**

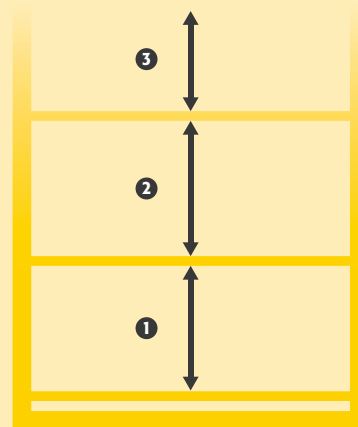
Shelves/number	4	3
Distance ④ (mm)	370	
Distance ③ (mm)	285	400
Distance ② (mm)	315	380
Distance ① (mm)	315	410

**Standard storage heights of the shelves**

**Q30.195.086.WDFW**

Quantity	Type of container	Container size
49	Aerosol cans	400 ml
23	Cans	1 litre
23	Laboratory glass bottles	1 litre
23	Laboratory PE-bottles	1 litre
9	Laboratory glass bottles	2.5 litres

**Storage capacities per drawer/type of container**





# WolfLabs

**Pricing on any accessories shown can be found by keying the part number into the search box on our website.**

The specifications listed in this brochure are subject to change by the manufacturer and therefore cannot be guaranteed to be correct. If there are aspects of the specification that must be guaranteed, please provide these to our sales team so that details can be confirmed.

**[www.wolflabs.co.uk](http://www.wolflabs.co.uk)**

**Tel : 01759 301142**

**Fax : 01759 301143**

**[sales@wolflabs.co.uk](mailto:sales@wolflabs.co.uk)**

Please contact us if this literature doesn't answer all your questions.